

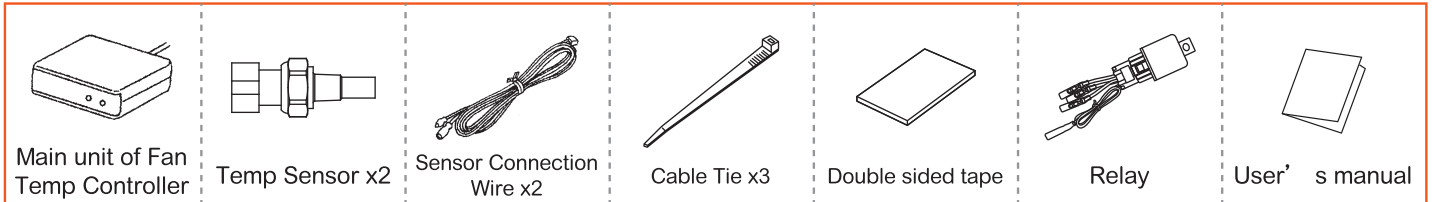
FAN TEMP CONTROLLER

Ver.0.0.1

SW10078

▶ CONTENTS

Only for reference, it might be different from real parts.



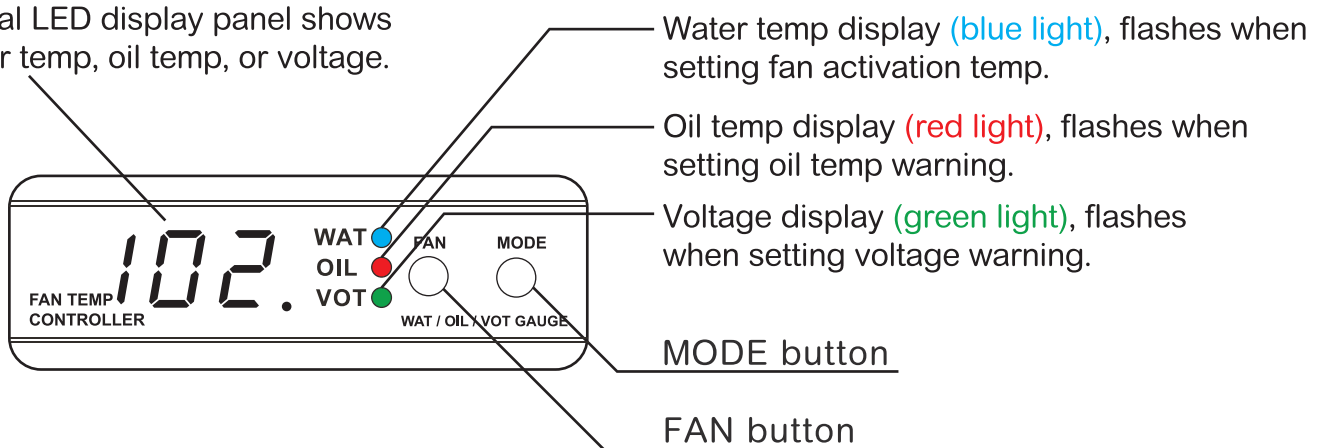
- Please attach the user's manual to the product when transferring to others.

▶ FEATURES

- Combines water temp, oil temp, and voltage gauge functions.
- Switch between 3 types of information via button.
- Digital LED display panel, clear information reading.
- Set warning values to help monitor the vehicle.
- Adjust radiator fan activation timing to reduce engine overheating and power loss.

▶ OPERATION INSTRUCTION

Digital LED display panel shows water temp, oil temp, or voltage.



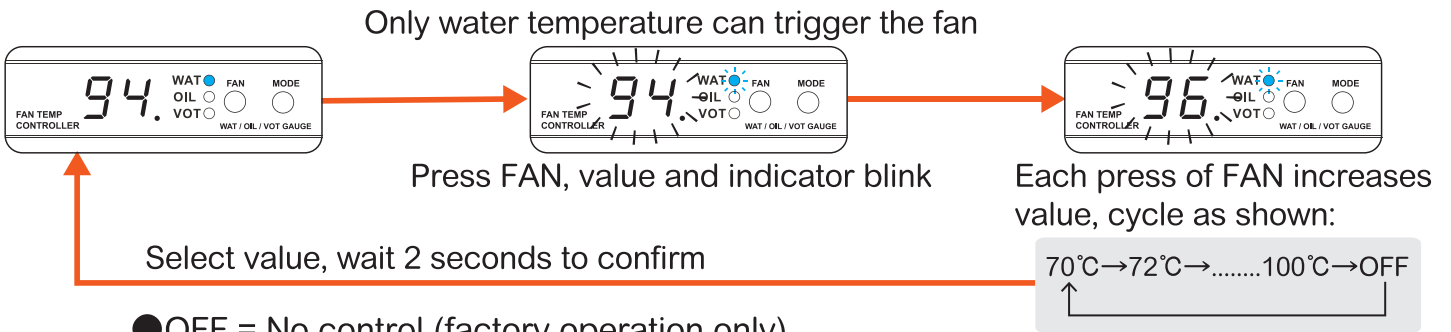
Temperature above display range shows **H H H**
Temperature below display range shows **L L L**

Display Setting

Press FAN and MODE together to switch to auto cycle display; press MODE again to return to fixed display.

1. Fixed display: Shows a single value; after pressing MODE, it blinks for 2 seconds, then switches to the next value.
2. Auto cycle display: Sequence is water temp → oil pressure, switches every 2 seconds.

Set Fan Activation or Alert



- OFF = No control (factory operation only).
- To check set value, press FAN once to display, reverts after 2 seconds.
- After the fan runs for a while, it will stop when the actual temperature drops ore than 5° C below the set value.

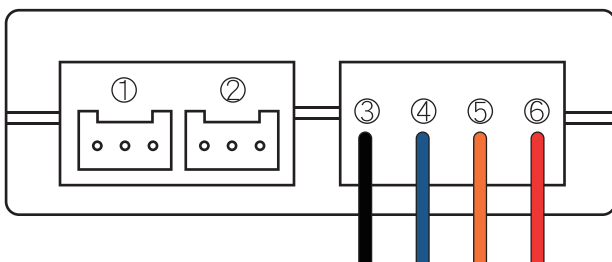
▶ PRODUCT SETTING CORRESPONDENCE LIST

	Display range	Setting range
WATER TEMP.	10~150° C	OFF \ 70~100° C
OIL TEMP.	50~150° C	OFF \ 80~150° C
VOLT.	8~18V	OFF \ 10.2~12.6V

▶ INSTALLATION INSTRUCTION

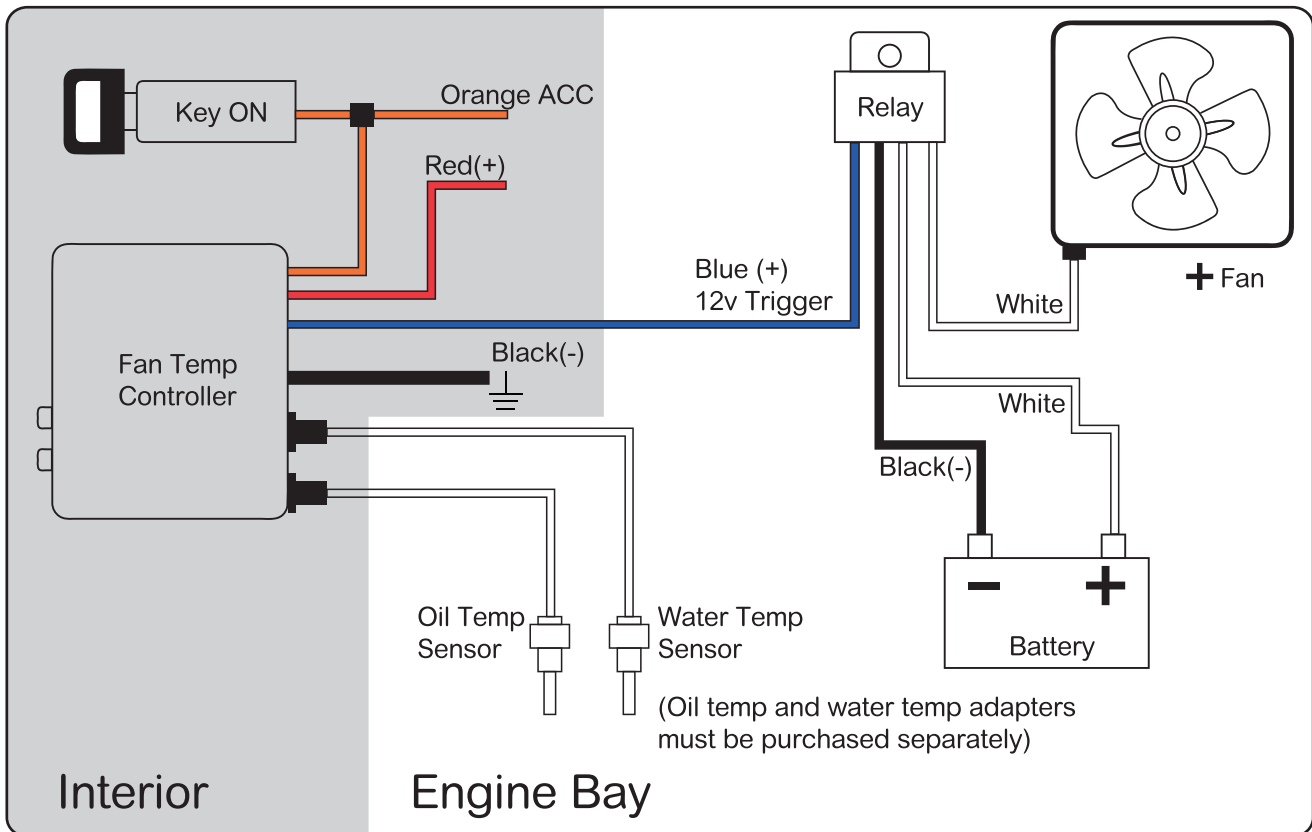
After installing the sensor in the coolant pipe (1/8 NPT), follow the steps below.

Fan Temp Controller back

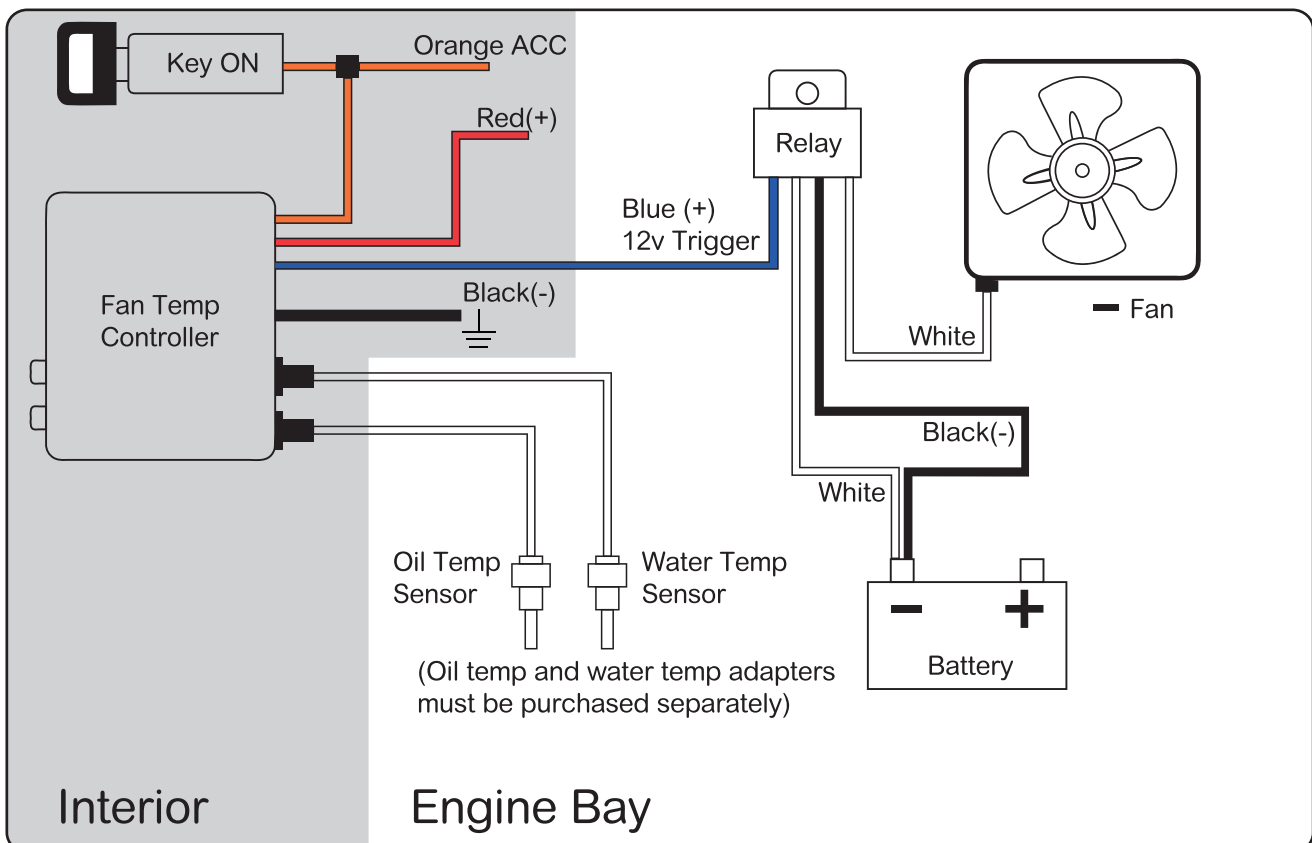


- ① Oil Temp Sensor
- ② Water Temp Sensor
- ③ Grounding Wire(-)
- ④ Fan Control, Output Power Is +12v/1.4a
- ⑤ Ignition Power
- ⑥ +12v Power

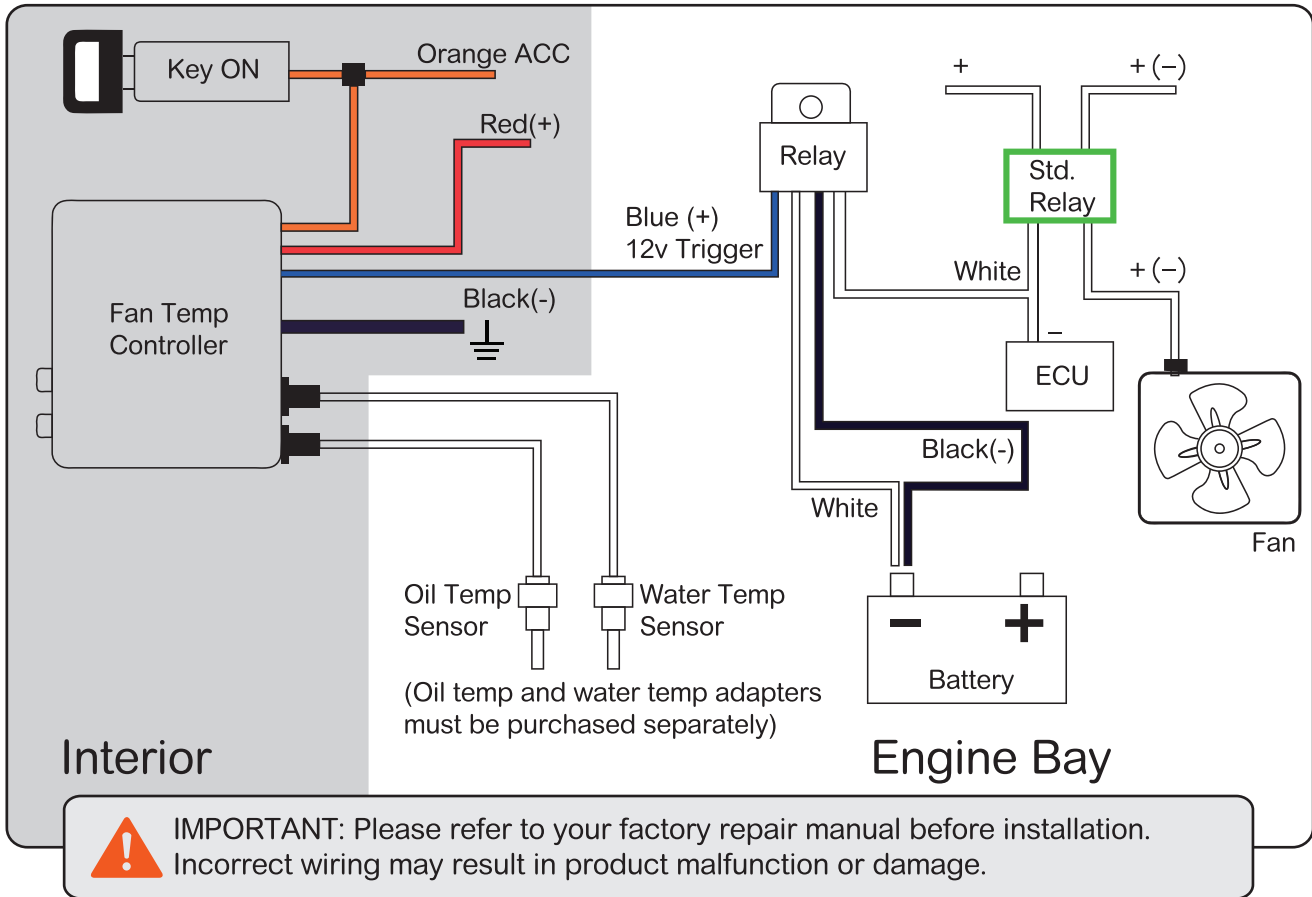
CONNECT TO FAN CONTROL RELAY (POSITIVE TRIGGER)



CONNECT TO FAN CONTROL RELAY (NEGATIVE TRIGGER)



CONNECT TO ECU RELAY



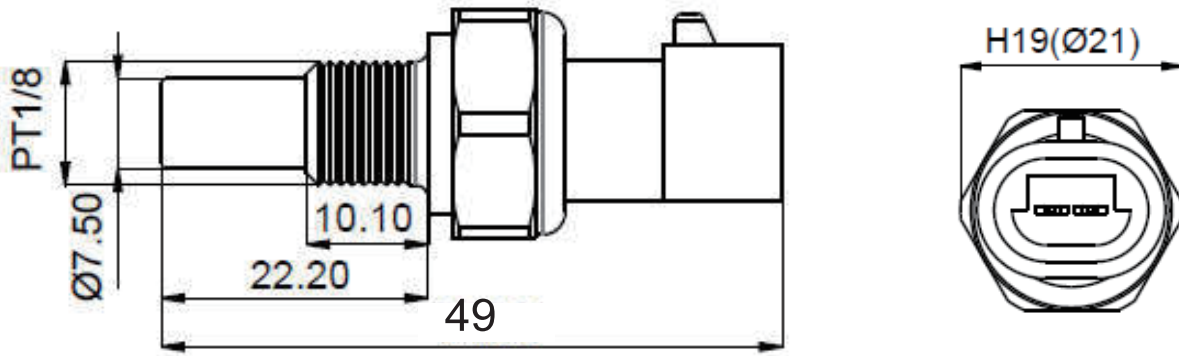
Troubleshooting

When you think the machine is faulty, please confirm the following items before sending it for repair:

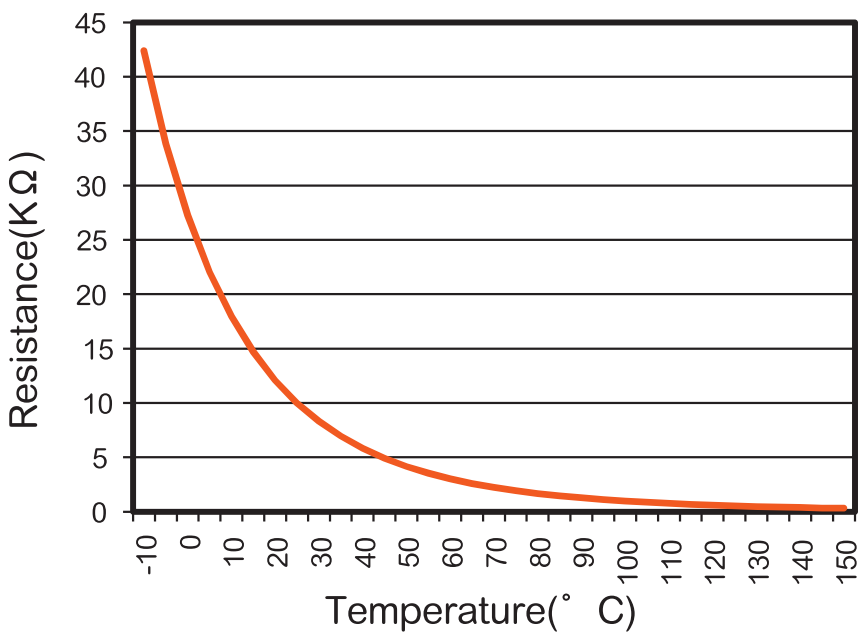
Problems	WHY	Confirm items
Indicator off and no temperature display when ignition is ON.	Poor wiring connection.	Check all wiring connections.
Water temp display shows - - -	Temp sensor or wiring connection failure, disconnection, etc.	Check temp sensor and wiring connections.
Oil temp display shows $\downarrow \downarrow \downarrow$	Temperature below display range.	
Oil temp display shows $\times \times \times$	Temperature above display range.	
Fan does not activate when water temp reaches set value.	Wiring error.	Check wiring method for errors.

When the product needs to be repaired, please collect the product body and accessories and return them to the original place of purchase.

▶ SENSOR SPECIFICATIONS



Sensor Resistance
With Temperature Chart



- Body Material: Brass
- Hex Size: 19.0mm
- Connector Material: PBT
- Thread Size: PT 1/8"
- Overall Weight: 25.5g



Address: NO.163 Fan-Hwa Road, Chin-Hsin Village, Hsiu-Shui, Chang Hwa, TAIWAN
Tel: +886-4-7681140 Fax: +886-4-7698587 E-mail: info@autojaw.com

Copyright 1999-2025 AUTO JAW CO,LTD ALL Rights Reserved.

