

# PRO3 RACING GAUGE

FIGHT FOR FEARLESS

## NEVER GIVE UP

RACING GAUGE

**PRO3**

 **Shadow**



60MM



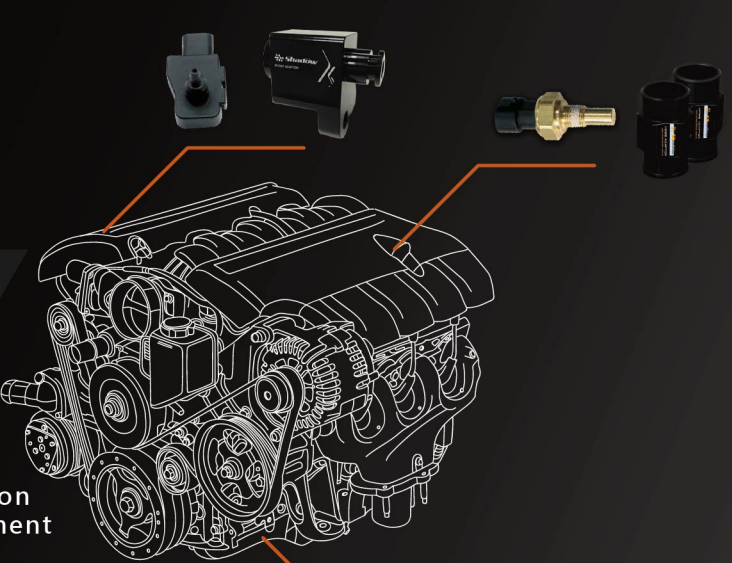
52MM



Shadow PRO3 racing gauges are the latest generation of electronic display products. High-precision cut aluminum alloy rings have been added in this series to replace previous plastic sleeves. All-aluminum alloy rear cylinder, in addition to showing a high-quality appearance, is more light and simple in visual performance. Reveal unique temperament.



During driving, the car instrument provides the vehicle speed and engine speed. Mainly remind drivers to drive safely and maintain a safe speed limit. In addition to the speed information, there is a lot of information in the engine to further ensure driving safety. Therefore, a variety of sports kits have been extended to provide more information modules for driver' s reference.



**COMPREHENSIVE PERCEPTION  
ACCURATE MONITORING**

High-efficiency accessories  
Accurate feedback

No damage intallation  
Dedicated development

**SPECIFICATIONS:**

BLACK FACE

CLEAR FACE



**BACKLIGHT COLORS:**



DUAL COLOR BACKLIGHT

RED BACKLIGHT

**TWO DIFFERENT SPECIFICATIONS  
AND BACKLIGHT COLORS.  
MATCH AS YOU WANT!**



# PRO3 RACING GAUGE

PC / Aluminum alloy / L82 x W45 x H10(mm)

|            |      | Water Temp.<br>20°C-120°C | Oil Temp.<br>50°C-150°C | Oil Press.<br>0bar-10.0bar |
|------------|------|---------------------------|-------------------------|----------------------------|
| Clear face | 52mm | SW15180-20                | SW15181-20              | SW15182-20                 |
|            | 60mm | SW15160-20                | SW15161-20              | SW15162-20                 |
| Black face | 52mm | SW15170-20                | SW15171-20              | SW15172-20                 |
|            | 60mm | SW15150-20                | SW15151-20              | SW15152-20                 |

|            |      | Water Temp.(°F)<br>70°F-250°F | Oil Temp.(°F)<br>120°F-300°F | Oil Press.(PSI)<br>0 PSI-140 PSI |
|------------|------|-------------------------------|------------------------------|----------------------------------|
| Clear face | 52mm | SW15200-20                    | SW15201-20                   | SW15202-20                       |
| Black face | 52mm | SW15190-20                    | SW15191-20                   | SW15192-20                       |

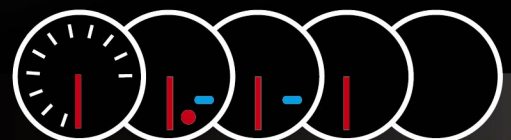
|            |      | Boost<br>-1.0bar-3.0bar | Boost<br>-1.0bar-1.5bar | Boost(PSI)<br>-30 PSI-40 PSI |
|------------|------|-------------------------|-------------------------|------------------------------|
| Clear face | 52mm | SW15184-20              | —                       | SW15204-20                   |
|            | 60mm | SW15164-20              | SW15163-20              | —                            |
| Black face | 52mm | SW15174-20              | —                       | SW15194-20                   |
|            | 60mm | SW15154-20              | SW15153-20              | —                            |

|            |      | Fuel Press.<br>0bar-6.0bar | Fuel Press.(PSI)<br>0 PSI-80 PSI | EXT Temp.<br>200°C-1100°C | Volt.<br>8V-18V |
|------------|------|----------------------------|----------------------------------|---------------------------|-----------------|
| Clear face | 52mm | SW15206-20                 | SW15206-20                       | SW15185-20                | SW15187-20      |
|            | 60mm | SW15166-20                 | —                                | SW15165-20                | SW15167-20      |
| Black face | 52mm | SW15196-20                 | SW15196-20                       | SW15175-20                | SW15177-20      |
|            | 60mm | SW15156-20                 | —                                | SW15155-20                | SW15157-20      |

TURN ON

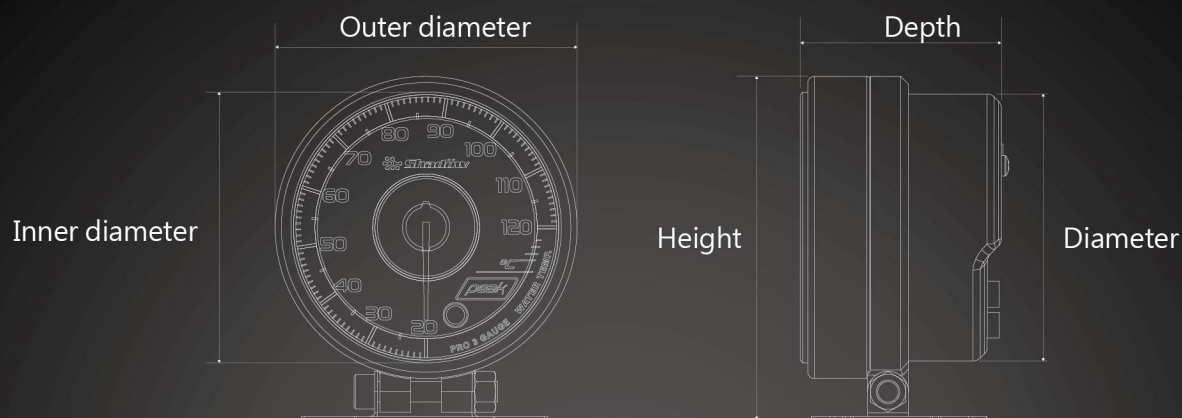


TURN OFF



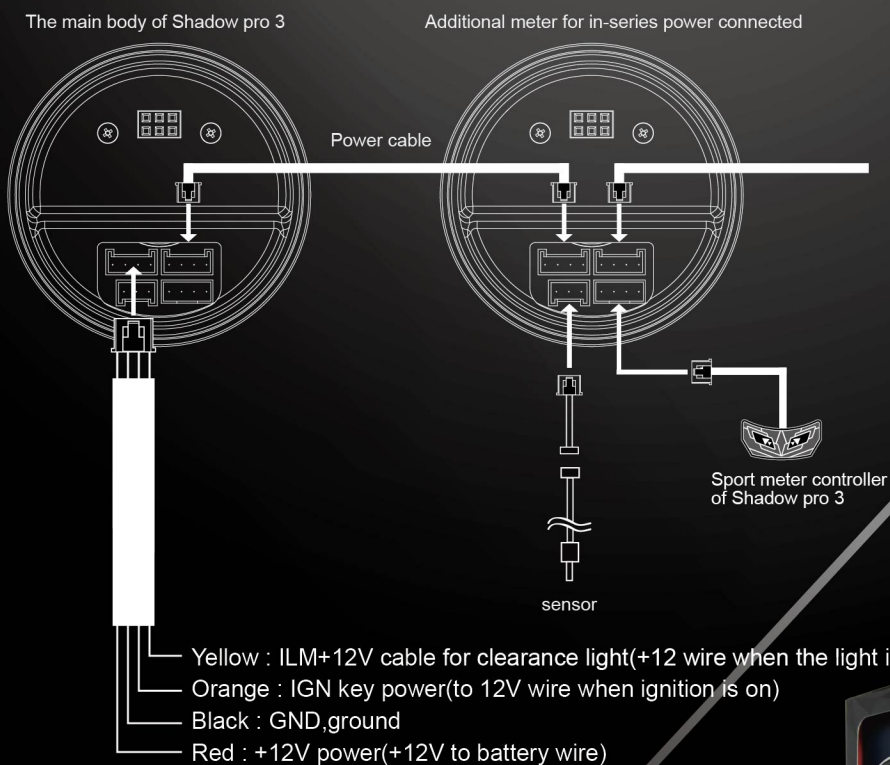
# PRO3 RACING GAUGE

## Technical specifications



|      | Outer diameter | Inner diameter | Height | Depth  | Diameter |
|------|----------------|----------------|--------|--------|----------|
| Size | 52MM           | Ø59mm          | 58.4mm | 40mm   | Ø52mm    |
|      | 60MM           | Ø65mm          | 76mm   | 40.8mm | Ø60mm    |

## cabling method





# PRO3 RACING GAUGE

## Features



### Zero Friction Operation

Get rid of physical limitations, remove the friction of the core motor movement, and achieve the possibility of high-speed pointer.



### High Speed Pointer Movements

Firmware technology supports fast pointers. Accurate pointers are also important indicators of analogy pointers.



### 12-segment Brightness Adjustment

Let the custom design into your environment and usage habits.



### Highly Accurate Scale and Easy to Identify

Among the components of the racing gauges, not only have the hardware and firmware, but also delicate and precise panels. It is friendly to users.



### Automatic Dimming

According to the light conversion, the racing gauge can have different brightness settings.



### Weather-Resistant Waterproof Connector

Pay attention to every detail to ensure that the accuracy of data will not be affected by environmental factors.



### Self-Diagnosis

When the signal source is lost, it will be detected and reflected immediately to remind the user that the signal is lost.

### Alert Setting

The condition value can be set to the critical point via setting to remind the user to pay attention.



## POWER UPGRADED!

Pursue the power limit value, conform to the nature of the pursuit of speed, and make supercharging reach the highest threshold. Constantly unlocking achievements, the turbo gauges kits respond to your power output.



## ENTHUSIASM FEEDBACK!

Driving in the vast wilderness, this is a long march of endurance. Equipped with a temperature meter that can test the sensor of faithful return. Let you see the most real data and support your duel with this passionate wilderness.



## TO INFINITY AND BEYOND!

The goal is no longer in the distance, but in the high mountains. Except the powerful propulsion torque, accurate temperature gauges kits verify tenacious and unwilling to yield workmanship.



## TRIUMPH!

Last straight line accelerates, accompanied by an engine sound, the victory is ---- INSTANT. Burning rubber smell, erupting sand and the pointer that reaching limit..... All of these are proclaiming your victory.



## HIT THE ROAD!

When enjoying the thrill of speed, installing high-speed and precise instruments allows you to keep abreast of engine dynamics. With the dynamic of the pointer, it is fully synchronized with the throttle and reaches the state of unity of man and vehicles.