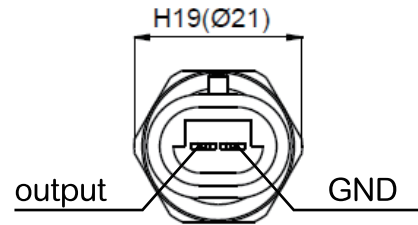
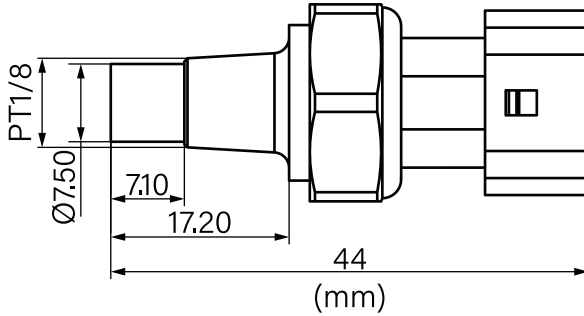


► SPECIFICATION



- Module Name: Shadow Temp. Sensor 1/8 PT
- Sensor Type: NTC Thermistor Sensor
- Sensor Body Material: Brass
- Hex Size: 19.0mm
- Sensor Connector Material: PBT
- Thread Size: PT 1/8"
- Overall Weight: 21.0g

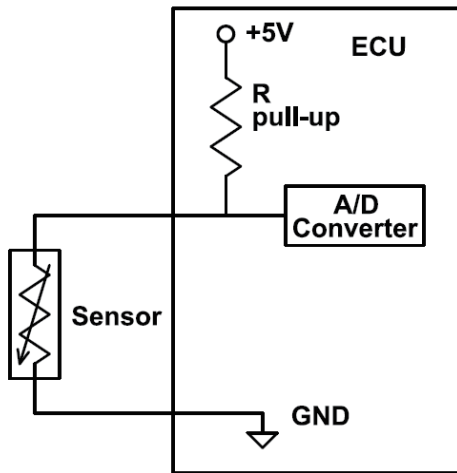
► FEATURES

- Thermistor technology
- Easy to assemble
- High accuracy
- Fully calibrated and compensated
- High stability
- Designed for manufacturability
- Fast thermal response

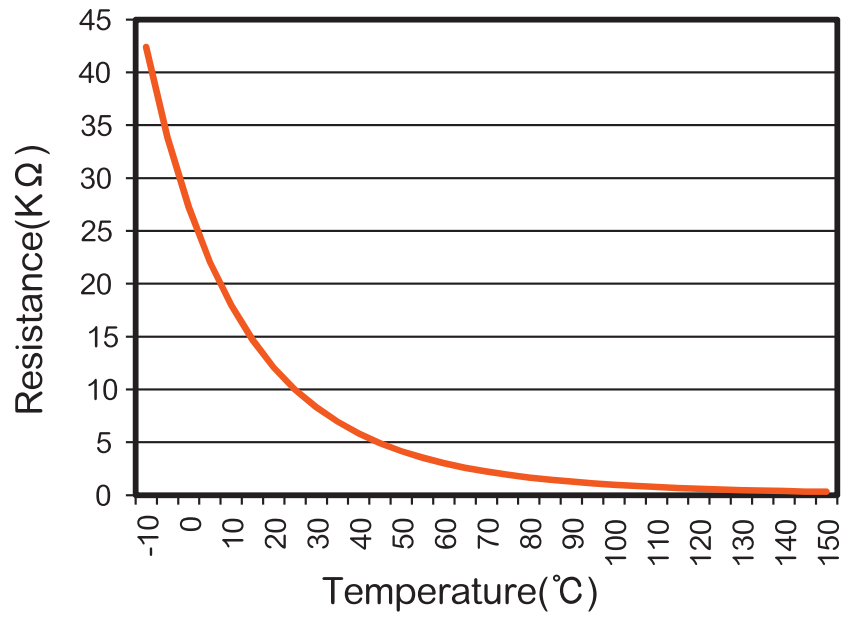
► OPERATING CHARACTERISTICS

Characteristic	Min	Typ	Max	Unit
Operating temperature range	-20	--	150	°C
Supply Voltage	/	5.0	/	Vdc
Resistance value at 25 °C	9500	10000	10500	Ω
Resistance value at 80 °C	1585	1668	1751	Ω
Resistance value at 100 °C	894	941	988	Ω
Response time	/	10	/	s

Circuit Schematic



Output Correspondence Table



Temperature (°C)	Resistance (KΩ)	Temperature (°C)	Resistance (KΩ)	Temperature (°C)	Resistance (KΩ)
-10	42.390	45	4.912	100	0.973
-5	33.850	50	4.162	105	0.857
0	27.250	55	3.537	110	0.757
5	22.030	60	3.022	115	0.671
10	17.950	65	2.589	120	0.596
15	14.680	70	2.229	125	0.531
20	12.090	75	1.925	130	0.474
25	10	80	1.668	135	0.424
30	8.314	85	1.451	140	0.381
35	6.941	90	1.266	145	0.342
40	5.829	95	1.108	150	0.309

When the product needs to be repaired, please collect the product body and accessories and return them to the original place of purchase.



Address: NO.163 Fan-Hwa Road, Chin-Hsin Village, Hsiu-Shui, Chang Hwa, TAIWAN
Tel: +886-4-7681140 Fax: +886-4-7698587 E-mail: info@autojaw.com

Copyright 1999-2026 AUTO JAW CO,LTD ALL Rights Reserved.

