

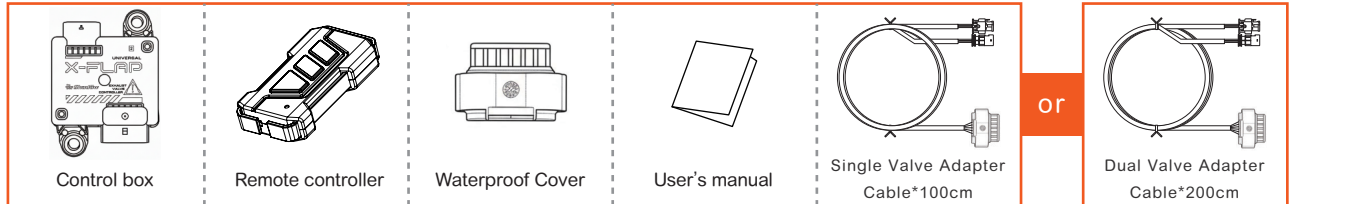
X-FLAP OEM EXHAUST VALVE CONTROLLER

UNIVERSAL / TL

Ver.0.0.2

▶ CONTENTS

Only for reference, it might be different from real parts.



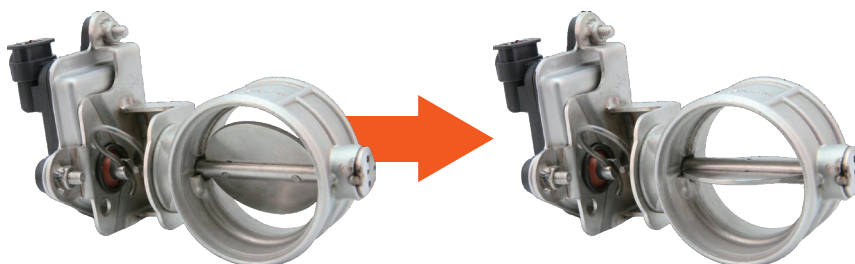
● Please attach the user's manual to the product when transferring to others.

▶ FEATURES

- Three modes: ON (Fully Open) / OFF (Fully Closed) / NOR (Stock Mode) (Note .1).
- Plug-and-play with OEM connectors; quick installation without damaging factory wiring.
- Modes switchable via remote or App.
- Built-in OEM signal restoration module prevents error codes and warning lights.
- Fully potted waterproof design and direct chassis mounting ensure weather resistance and stability.
- Startup valve status customizable via App (Default: Last memory).

● (Note .1) Half-Open Correction (BMW M Power Only)
When the factory system limits the valve to a partially open position due to regulations or noise control, X-FLAP automatically adjusts it to fully open for better exhaust flow.

*This feature only supports BMW M Power models equipped with OEM multi-stage valve motors. Not compatible with other vehicles or valve systems.



Standard Mode:
Follows OEM ECU logic

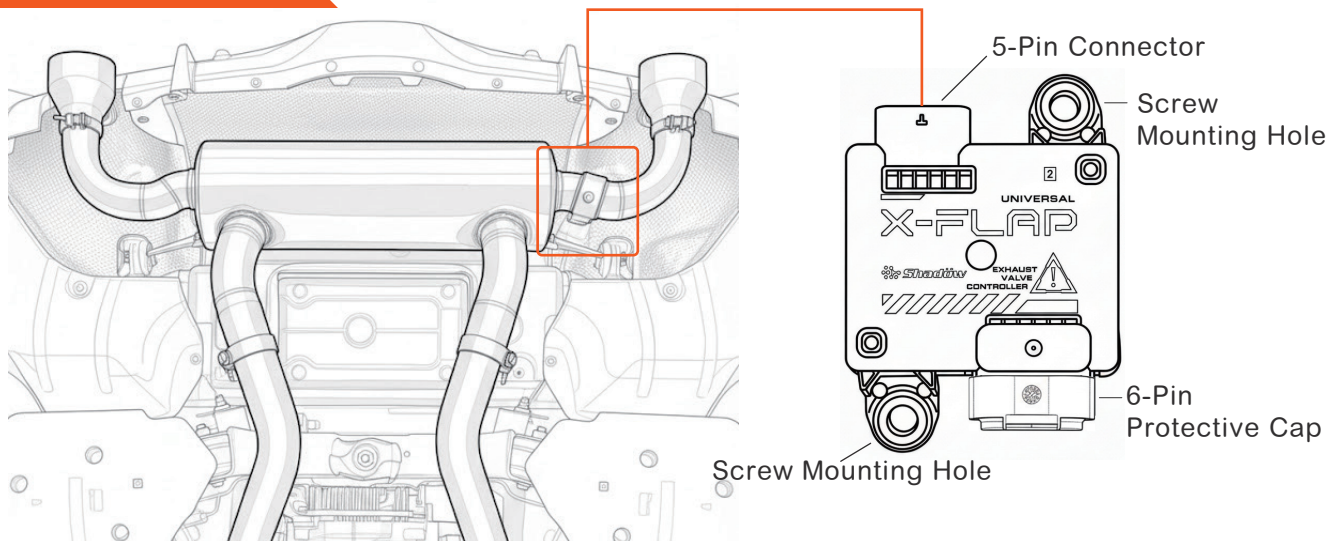
Auto Correction (BMW M Power)
Half-Open → 100% Open

► WIRING INSTRUCTIONS

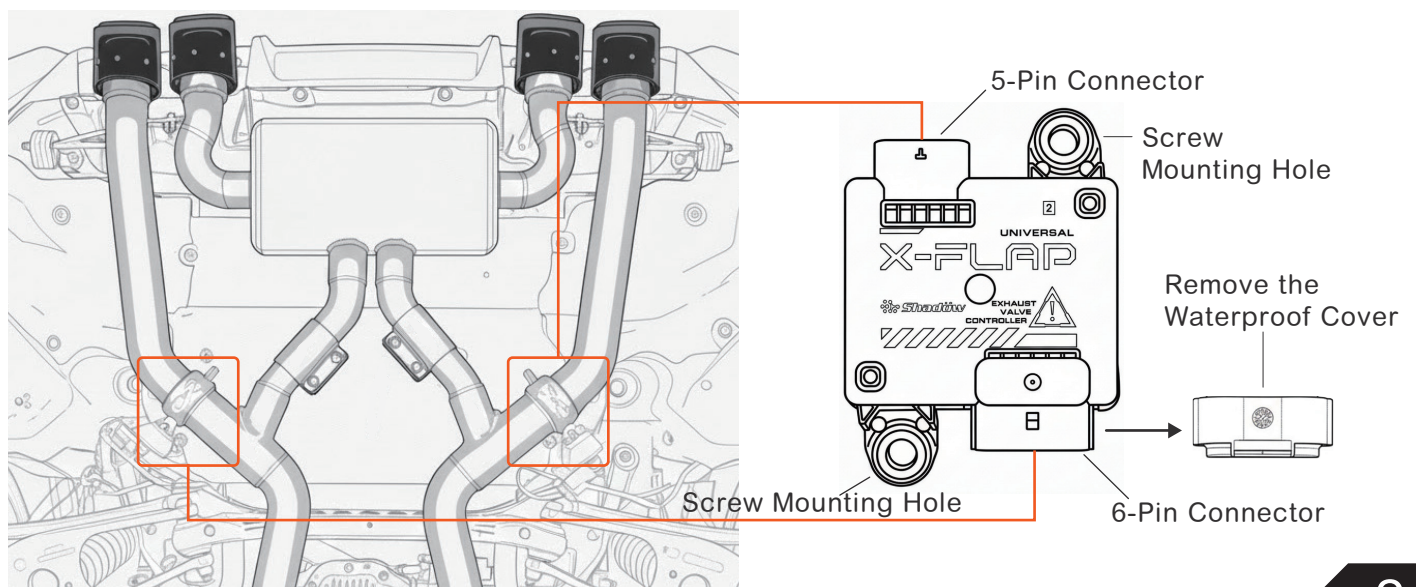
- Install only when the engine is off and the ECU is in full sleep mode to prevent temporary error codes caused by disconnecting plugs while powered.
- The main unit is waterproof; mount it high on the chassis to protect against impact or water submersion.
- Secure the wiring harness properly, keeping it clear of drive shafts, suspension links, or any areas prone to tension or abrasion.
- Connector configurations may vary by version. Please confirm compatibility with your vehicle before installation.
- In OFF (Fully Closed) mode, drive only at low RPM and low load. Avoid heavy acceleration to prevent high exhaust backpressure, which may cause ECU errors or vehicle damage.

► INSTALLATION INSTRUCTION

SINGLE VALVE



DUAL VALVE



▶ APP INSTRUCTIONS

This product can be used with the APP.



APP Name: X-FLAP
Device: X-FLAP_OTA (Exhaust)
password: 1111

Requires a mobile operating system of iOS 17.0 or Android 5.0 or above.



Download Link

▶ OPERATION INSTRUCTION

Settings

Mode

Controller Type

Valve State

STATE: ON
Fully Open (100%)

STATE: OFF
Fully Closed (0%)

STATE: NOR
Original Control (Partial Open Correction)

主畫面

▶ REMOTE CONTROL PAIRING

*Ensure ACC power is ON.

*If "PAIRING FAILED" appears, please retry.

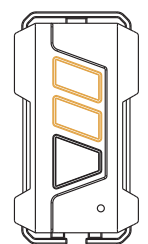
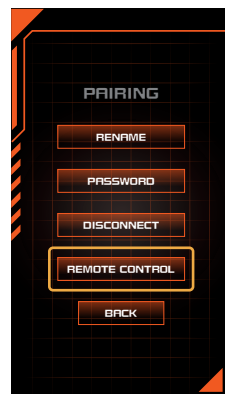
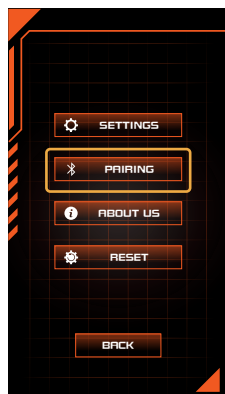
Open App to Settings

Pairing

Remote Control

YES

Complete



Long press remote ON and OFF buttons until red LED flashes once.

▶ DEFAULT & DETAILED SETTINGS

DEFAULT

App configures startup valve status. Default is LST (Memory Mode): retains status from last shutdown. Startup status can be fixed to ON, OFF, or NOR.

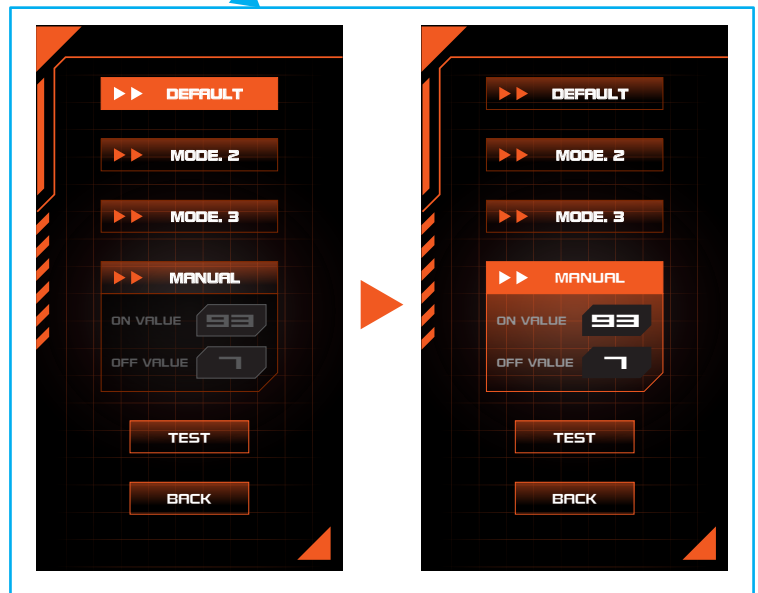


VALVE SETTINGS (ELECTRONIC)

Selectable signal modes available for compatibility. Most vehicles work in DEFAULT mode.

If default modes fail, use MANUAL mode to input specific ON/OFF values (0-100).

*TEST button performs (ON-OFF) actuation test 3 times.





Address: NO.163 Fan-Hwa Road, Chin-Hsin Village, Hsiu-Shui, Chang Hwa, TAIWAN
Tel: +886-4-7681140 Fax: +886-4-7698587 E-mail: info@autojaw.com

Copyright 1999-2026 AUTO JAW CO,LTD ALL Rights Reserved.

